

**B-CHQR SERIES ENCLOSURES
NEMA 12 JIC CONTINUOUS HINGE QUICK-RELEASE WALL-MOUNT**



B060604CHQR

Industry Standards

UL 50, Types 12 & 13
CSA Certified, Type 12
NEMA/EEMAC Type 12 & 13
JIC EL-1-71

 UL Files E6924

 CSA File LL66078

FEATURES-SPECIFICATIONS

Applications

Intended for use as electrical junction boxes, terminal wiring boxes, and instrument housings. Hinged door with quick-release latching provide convenient access. Designed to provide protection from dust, dirt, oil, and water.

Construction

- Bodies and doors fabricated from 16 and 14 gauge steel
- Continuously welded seams ground smooth, less knockouts or holes

- Lids are sealed with closed cell oil resistant neoprene gasket
- External mounting plates, top and bottom of enclosure
- Weldnuts are provided for mounting **optional** panels securely on models 6.00" x 4.00" and larger
- External quick release latches secure cover
- Standard continuous hinge secures cover
- Grounding provisions provided

Finish

- ANSI-61 gray polyester powder inside and out over phosphatized surfaces.
- **Optional** back panels are white polyester powder over phosphatized surfaces

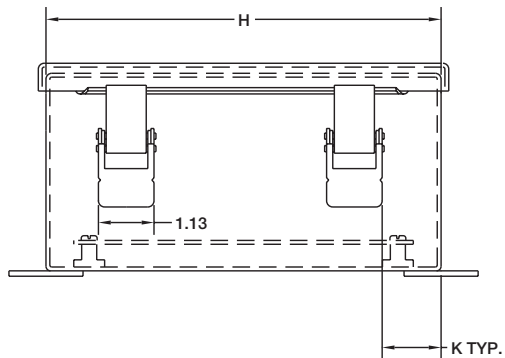
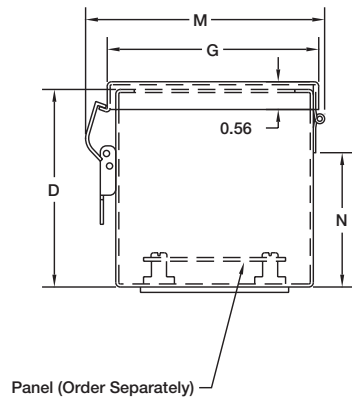
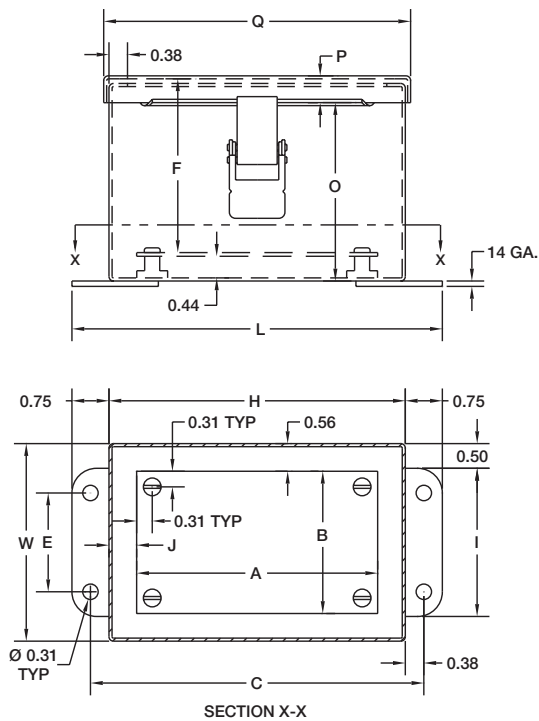
Accessories

- Back panels (reference tables)
- See pages J1-J19

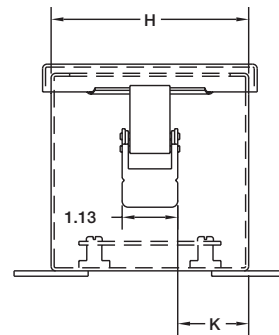
B-CHQR SERIES JIC CONTINUOUS HINGE QUICK-RELEASE ENCLOSURES															
CATALOG NUMBER	BODY/DOOR STEEL GAUGE	ENCLOSURE SIZE H X W X D	BACK PANEL CATALOG NUMBER*	BACK PANEL SIZE A X B	MOUNTING C X E	OVERALL L X M	F	G	I	J	K	N	O	P	Q
B060403CHQR ◀	14/16	6.00x4.00x3.00 (152x102x76)	P0604	4.88x2.88 (124x73)	6.75x2.00 (171x51)	7.50x4.84 (191x123)	2.53 (76)	4.31 (109)	3.00 (76)	0.56 (14)	2.44 (62)	1.78 (45)	2.53 (64)	0.63 (16)	6.31 (160)
B060604CHQR ◀	14/16	6.00x6.00x4.00 (152x152x102)	P0606	4.88x4.88 (124x124)	6.75x4.00 (171x102)	7.50x6.84 (191x174)	3.53 (101)	6.31 (160)	5.00 (127)	0.56 (14)	2.44 (62)	2.78 (71)	3.53 (90)	0.63 (16)	6.31 (160)
B080603CHQR ◀	14/16	8.00x6.00x3.50 (203x152x89)	P0806	6.88x4.88 (175x124)	8.75x4.00 (222x102)	9.50x6.84 (241x174)	3.03 (88)	6.31 (160)	5.00 (127)	0.56 (14)	1.06 (27)	2.28 (58)	3.03 (77)	0.63 (16)	8.31 (211)
B100804CHQR ◀	14/16	10.00x8.00x4.00 (254x203x102)	P1008	8.88x6.88 (226x175)	10.75x6.00 (273x152)	11.50x8.84 (292x225)	3.53 (101)	8.31 (211)	7.00 (178)	0.56 (14)	1.06 (27)	2.78 (71)	3.53 (90)	0.63 (16)	10.31 (262)
B121005CHQR ◀	14/16	12.00x10.00x5.00 (305x254x127)	P1210	10.88x8.88 (276x226)	12.75x8.00 (324x203)	13.50x10.84 (343x275)	4.53 (127)	10.31 (262)	9.00 (229)	0.56 (14)	1.06 (27)	3.78 (96)	4.53 (115)	0.63 (16)	12.31 (313)
B141206CHQR ◀	14/16	14.00x12.00x6.00 (356x305x152)	P1412	12.88x10.88 (327x276)	14.75x10.00 (375x254)	15.50x12.84 (394x326)	5.53 (152)	12.31 (313)	11.00 (279)	0.56 (14)	1.06 (27)	4.78 (121)	5.53 (141)	0.63 (16)	14.31 (364)
B161406CHQR ◀	14/16	16.00x14.00x6.00 (406x356x152)	P1614	14.88x12.88 (378x327)	16.75x12.00 (425x305)	17.50x14.84 (445x377)	5.53 (152)	14.31 (363)	13.00 (330)	0.56 (14)	1.06 (27)	4.78 (121)	5.53 (141)	0.63 (16)	16.31 (414)

◀ NEW PRODUCT IN 2003

*Back panels must be ordered separately.



VIEW SHOWING CLAMP POSITION
WHEN "H" EQUALS 8" OR MORE



VIEW SHOWING CLAMP POSITION
WHEN "H" IS LESS THAN 8"





P0808

FEATURES-SPECIFICATIONS

Description

- 14 gauge (carbon and stainless)
- White polyester powder finish on steel panels
- Aluminum panels are 5052-H32 aluminum alloy, .080-inch thick
- Panels fit the following enclosures:
 - B
 - BCH
 - BN4
 - BN4CH
 - BN4SS
 - BN4CHSS
 - BN4AL
 - BN4CHAL

BACK PANELS FOR JIC ENCLOSURES			
CATALOG NUMBER			PANEL SIZE A X B
PAINTED STEEL (WHITE)	304 STAINLESS STEEL	ALUMINUM	
P0604	P0604SS	P0604AL	4.88x2.88 (124x73)
P0606	P0606SS	P0606AL	4.88x4.88 (124x124)
P0806	P0806SS	P0806AL	6.88x4.88 (175x124)
P0808	—	—	6.88x6.88 (175x175)
P1008	P1008SS	P1008AL	8.88x6.88 (226x175)
P1010	—	—	8.88x8.88 (226x226)
P1206	—	—	10.88x4.88 (276x124)
P1210	P1210SS	P1210AL	10.88x8.88 (276x226)
P1212	P1212SS	—	10.88x10.88 (276x276)
P1408	—	—	12.88x6.88 (327x175)
P1412	P1412SS	P1412AL	12.88x10.88 (327x276)
P1610	—	—	14.88x8.88 (378x226)
P1614	P1614SS	P1614AL	14.88x12.88 (378x327)

